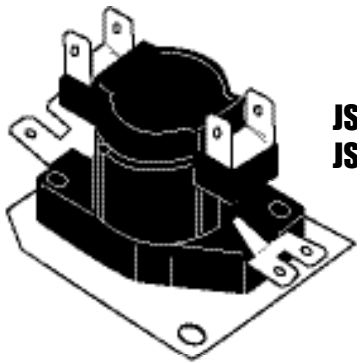


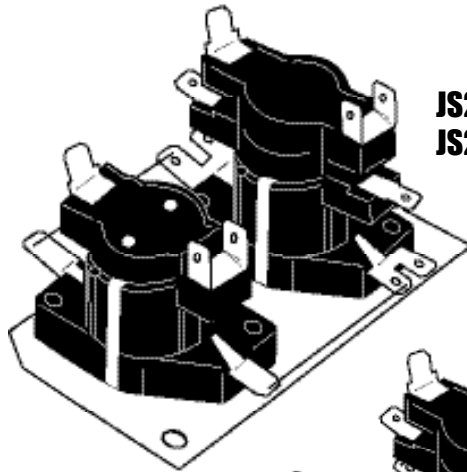


# Heat Sequencing Relays

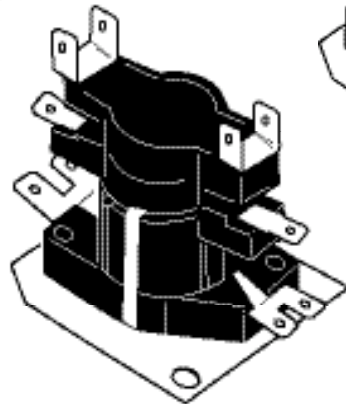
New from JARD, Heat Sequencing Relays designed for Universal Replacement. All models feature Double Quick Connect Terminals and Temperature Compensated using Solid State PTC Heaters. Contacts are rated at 25 Amps at 120/240 VAC, 12.5 Amps at 480 VAC. JARD Heat Sequencing Relays are UL Recognized.



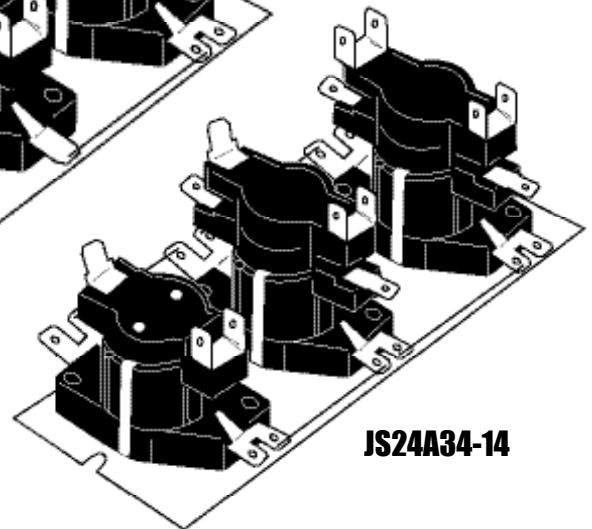
**JS24A34-1  
JS24A34-2**



**JS24A34-5  
JS24A34-6**



**JS24A34-3  
JS24A34-4**



**JS24A34-14**

JARD Part No.	Mars Part No.	Approx. On Time (seconds)					Approx. Off Time (seconds)				
		SW1	SW2	SW3	SW4	SW5	SW1	SW2	SW3	SW4	SW5
JS24A34-1	44841	1-20	—	—	—	—	40-110	—	—	—	—
JS24A34-2	44842	—	—	30-90	—	—	—	—	1-30	—	—
JS24A34-3	44844	1-20	1-20	—	—	—	40-110	—	40-110	—	—
JS24A34-4	44845	—	—	30-90	30-90	—	—	—	1-30	1-30	—
JS24A34-5	44832	1-110	1-110	1-110	—	—	1-110	1-110	1-110	—	—
JS24A34-6	44833	1-110	1-110	1-110	1-110	—	1-110	1-110	1-110	1-110	—
JS24A34-14	44848	1-160	1-160	1-160	1-160	1-160	1-160	1-160	1-160	1-160	1-160

**THANK YOU FOR CHOOSING JARD!**

JARD Corporation • 784 U.S. Highway One • Suite 16 • North Palm Beach, FL 33408